

If you would like more information, please give us a call at (1-888-779-1062)

GENERAL SPECIFICATION

NOTES, GENERAL, UNLESS OTHERWISE SPECIFIED AND AS APPLICABLE:

1. INTERPRET DRAWING IN ACCORDANCE WITH MIL-STD-100F AND ANSI Y14.5M 1982.
2. DIMENSIONAL LIMITS APPLY AFTER PLATING OR CHEMICAL CONVERSION; DIMENSIONAL LIMITS APPLY BEFORE COATING OR PAINT

NOTES, SPECIFIC:

1. CONTROLLING SPECIFICATION: MIL-S-81619, TYPE III (IP-68) CATEGORY II (NONSTANDARD), MIL-STD-130 MILITARY ID MIL-STD-202 ACCELERATION 10 G MIL-STD-810 VIBRATION/SHOCK, THERMAL SHOCK, TEMP. ALTITUDE CRASH SAFETY SHOCK

REQUIREMENTS:
 OPERATIONS AND DIMENSIONS
 DIMENSIONS: AS SHOWN
 OPERATING FORCE: TRANSDUCER, 0-3.1, 0-4, 0-5 lbf and others
 PUSH SWITCH, 1.6lbf TO ACTUATION

MECHANICAL:
 STRENGTH OF ACTUATING MEANS: NOT APPLICABLE
 STRENGTH OF MOUNTING MEANS: NOT APPLICABLE
 TERMINAL STRENGTH: NOT APPLICABLE
 RESISTANCE TO SOLDERING HEAT: NOT APPLICABLE
 SOLDERABILITY: NOT APPLICABLE
 CLASSIFICATION: CLASS 2 EQUIPMENT PER MIL-E-5400
 ENCLOSURE TYPE: TYPE IP68.

ELECTRICAL:
 SENSITIVITY TEMPERATURE COEFFICIENT NULL TO F.S.: 0.005% F.S. -40c to 55c
 SENSITIVITY OF SWITCH: AZ RATE, EL RATE, SETTLE,
 HYSTERESIS: AFTER DEFLECTING THE TRANSDUCER AND RELEASING IT, THE RATE OUTPUT SHALL RETURN TO $\pm .01$ lbf OF THE VALUE BEFORE THE TRANSDUCER WAS DEFLECTED

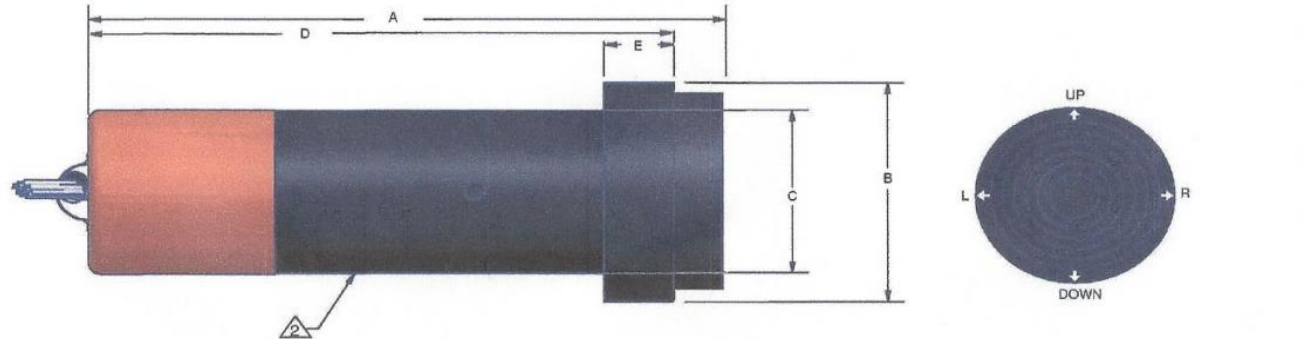
EXCITATION VOLTAGE:
 Output Sensitivity : 200mV/lb, 0-5vdc, 0-10vdc and others

Resistance :
 INSULATION RESISTANCE: APPLICABLE
 ENVIRONMENTAL:
 TEMPERATURE, OPERATING: -40 TO +55C. STORAGE: -57 TO +85 C.
 SHOCK, MECHANICAL: APPLICABLE
 ACCELERATION: 10 G
 SALT FOG: APPLICABLE
 HUMIDITY: APPLICABLE
 DUST (FINE SAND): APPLICABLE
 RAIN: APPLICABLE
 TEMPERATURE - ALTITUDE: APPLICABLE
 ALTITUDE: SEA LEVEL TO 40,000 FEET.
 ELECTROMAGNETIC COMPATIBILITY: NO APPLICABLE
 MAGNETIC COMPATIBILITY: NOT APPLICABLE
 LIFE: TRANSDUCER, 1,000,000 CYCLES TO MAXIMUM TRAVEL AND RETURN 360°
 PUSH SWITCH, 50,000 CYCLES MINIMUM
 INSPECTION: GROUP A INSPECTION

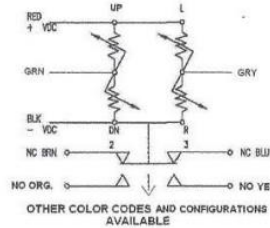
- 1. HOUSING MATERIAL AND FINISH: ALUMINUM ALLOY, BLACK
 SULFURIC ANODIZED AND DICHROMATE SEALED PER MIL-A-8625, TYPE II, CLASS 2 ON ALL SURFACES EXCEPT THOSE INDICATED.
- 2. INDICATED SURFACES ARE GOLD CHEMICAL FILM TREATED PER MIL-C-5541, CLASS 1A
- 3. SWITCH CONFORMS TO MIL-S-8805/101.
- 4. XDCR TERMINAL WIRE PER MIL-W-16878-4-28 AWG, COLOR CODED PER CIRCUIT DIAGRAM, 12.00 IN LENGTH MIN FROM BACK OF HOUSING.

REVISIONS

REV	DESCRIPTION	BY-DATE	APVD
A	INITIAL RELEASE	3/10/1999	



WIRING DIAGRAM



.28 AWG MIL-W- 16878-TEX WIRE PTFE INSULATED WIRE IS USED IN INDUSTRIAL, AEROSPACE, MILITARY, ELECTRICAL, 12 INCH LENGTH,

Replacement for OTTO, MSI, OTHER WIRING, DIMENSIONAL AND BUTTONS AVAILABLE

NOTE: ONLY TRANSDUCERS MARKED 0001 TO BE USED IN FLIGHT

MATERIAL AND FINISH: ALUMINUM ALLOY, BLACK		APPROVALS		SAN DIMAS, CALIFORNIA	
HEAT TREAT:		DRAWN BY:	MFG:	TITLE HIGHEST ACCURACY AIRCRAFT DUAL AXIS TRANSDUCER W/SWITCH	
UNLESS OTHERWISE SPECIFIED, ALL DIMENSIONS & TOLERANCE IN INCHES		CL	BH	PART NUMBER F7300	
1) BREAK CORNERS .005 / .015		ENGINEER:	QA:	B-SIZE	
2) DIAMETERS CONCENTRIC .005 T.I.R.		AP	HD	ORIG REL DATE	
3) MACHINED FINISHED .03 RMS		MODEL NO. F7300	OTHERS:	SHEET 1 OF 1	
ANGLE TOLERANCE: $\pm .5^\circ$					
DECIMAL FRACTIONS .XX $\pm .01$					
.XXX $\pm .005$					
DO NOT SCALE DWG.					

If you would like more information, please give us a call at (1-888-779-1062)

THIS DRAWING CONTAINS PROPRIETARY INFORMATION WHICH IS THE SOLE PROPERTY OF FORCE SWITCH CORP, IT MAY NOT IN WHOLE OR PART BE DUPLICATED OR DISCLOSED WITHOUT THE PRIOR WRITTEN PERMISSION OF FORCE SWITCH CORP.