

GENERAL SPECIFICATION

REVISIONS			
REV	DESCRIPTION	BY-DATE	APVD
A	INITIAL RELEASE	3/10/1999	

NOTES, GENERAL, UNLESS OTHERWISE SPECIFIED AND AS APPLICABLE:

1. INTERPRET DRAWING IN ACCORDANCE WITH MIL-STD-100F AND ANSI Y14.5M 1982.
2. DIMENSIONAL LIMITS APPLY AFTER PLATING OR CHEMICAL CONVERSION; DIMENSIONAL LIMITS APPLY BEFORE COATING OR PAINT

NOTES, SPECIFIC:

1. CONTROLLING SPECIFICATION: MIL-S-81619, TYPE III (IP-68) CATEGORY II (NONSTANDARD), MIL-STD-130 MILITARY ID

MIL-STD-202 ACCELERATION 10 G
MIL-STD-810 VIBRATION/SHOCK, THERMAL SHOCK, TEMP. ALTITUDE CRASH SAFTEY SHOCK

REQUIREMENTS:

OPERATIONS AND DIMENSIONS AS SHOWN
DIMENSIONS: AS SHOWN
OPERATING FORCE: TRANSDUCER, 0-3.1, 0-4, 0-5 lbf and others
PUSH SWITCH, 1.6 lbf TO ACTUATION

MECHANICAL:

STRENGTH OF ACTUATING MEANS: NOT APPLICABLE
STRENGTH OF MOUNTING MEANS: NOT APPLICABLE
TERMINAL STRENGTH: NOT APPLICABLE
RESISTANCE TO SOLDERING HEAT: NOT APPLICABLE
SOLDERABILITY: NOT APPLICABLE
CLASSIFICATION: CLASS 2 EQUIPMENT PER MIL-E-5400
ENCLOSURE TYPE: TYPE IP68.

ELECTRICAL:

SENSITIVITY TEMPERATURE COEFFICIENT NULL TO F.S: 0.005% F.S -40c to 55c
SENSITIVITY OF SWITCH: AZ RATE, EL RATE, SETTABLE
HYSTERESIS: AFTER DEFLECTING THE TRANSDUCER AND RELEASING IT, THE RATE OUTPUT SHALL RETURN TO $\pm .011$ OF THE VALUE BEFORE THE TRANSDUCER WAS DEFLECTED

EXCITATION VOLTAGE:

Output Sensitivity: 200mV/lb, 0-5vdc, 0-10vdc and others

Resistance:

INSULATION RESISTANCE: APPLICABLE

ENVIRONMENTAL:

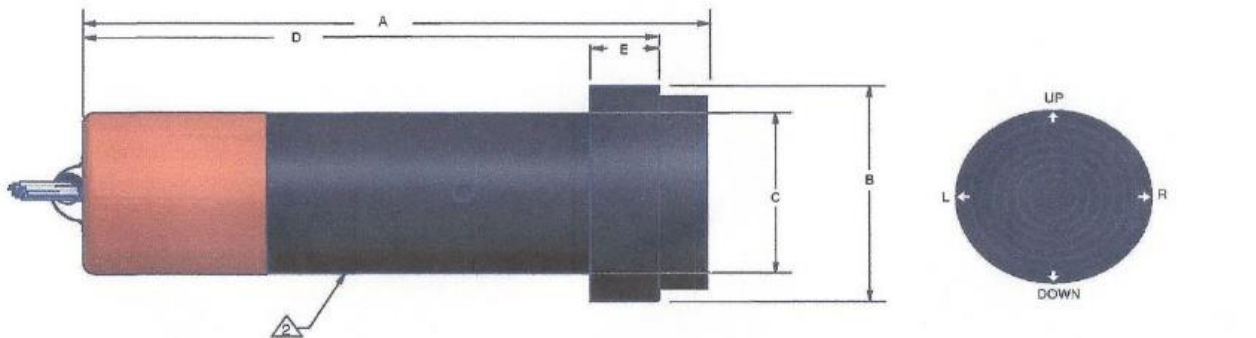
TEMPERATURE, OPERATING: -40 TO +55C. STORAGE: -57 TO +85 C.
SHOCK, MECHANICAL: APPLICABLE
ACCELERATION: 10 G
SALT FOG: APPLICABLE
HUMIDITY: APPLICABLE
DUST (FINE SAND): APPLICABLE
RAIN: APPLICABLE
TEMPERATURE - ALTITUDE: APPLICABLE
ALTITUDE: SEA LEVEL TO 40,000 FEET.
ELECTROMAGNETIC COMPATIBILITY: NO APPLICABLE
MAGNETIC COMPATIBILITY: NOT APPLICABLE
LIFE: TRANSDUCER, 1,000,000 CYCLES TO MAXIMUM TRAVEL AND RETURN 360°
PUSH SWITCH, 50,000 CYCLES MINIMUM
INSPECTION: GROUP A INSPECTION

HOUSING MATERIAL AND FINISH: ALUMINUM ALLOY, BLACK
SULFURIC ANODIZED AND DICHROMATENSEALED PER MIL-A-8625, TYPE II, CLASS 2 ON ALL SURFACES EXCEPT THOSE INDICATED.

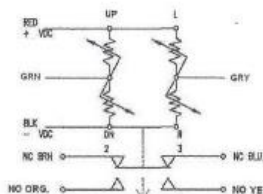
INDICATED SURFACES ARE GOLD CHEMICAL FILM TREATED PER MIL-C-5541, CLASS 1A

SWITH CONFORMS TO MIL-S-8805/101.

XDCR TERMINAL WIRE PER MIL-W-16878-4-28 AWG, COLOR CODED PER CIRCUIT DIAGRAM, 12.00 IN LENGTH MIN FROM BACK OF HOUSING.



WIRING DIAGRAM



OTHER COLOR CODES AND CONFIGURATIONS AVAILABLE



Replacement for OTTO, MSI, OTHER WIRING, DIMENSIONAL AND BUTTONS AVAILABLE

NOTE: ONLY TRANSDUCERS MARKED 0001 TO BE USED IN FLIGHT

MATERIAL AND FINISH: ALUMINUM ALLOY, BLACK		APPROVALS		SAN DIMAS, CALIFORNIA	
HEAT TREAT:	UNLESS OTHERWISE SPECIFIED, ALL DIMENSIONS & TOLERANCE IN INCHES	DRAWN BY: GL	MFG: BH	TITLE: HIGHEST ACCURACY AIRCRAFT DUAL AXIS TRANSDUCER W/SWITCH	
1) BREAK CORNERS .005 / .015	ANGLE TOLERANCE: $\pm .5^\circ$	ENGINEER: AP	QA: HD	PART NUMBER: F7300	
2) DIAMETERS CONCENTRIC .005 T.I.R	DECIMAL-FRACTIONS .XX \pm .01 \pm 1/16	MODEL NO: F7300	OTHERS:	B-SIZE: ORG REL DATE	
3) MACHINED FINISHED 63 RMS	.XXX \pm .005 DO NOT SCALE DWG.			SHEET 1 OF 1	